

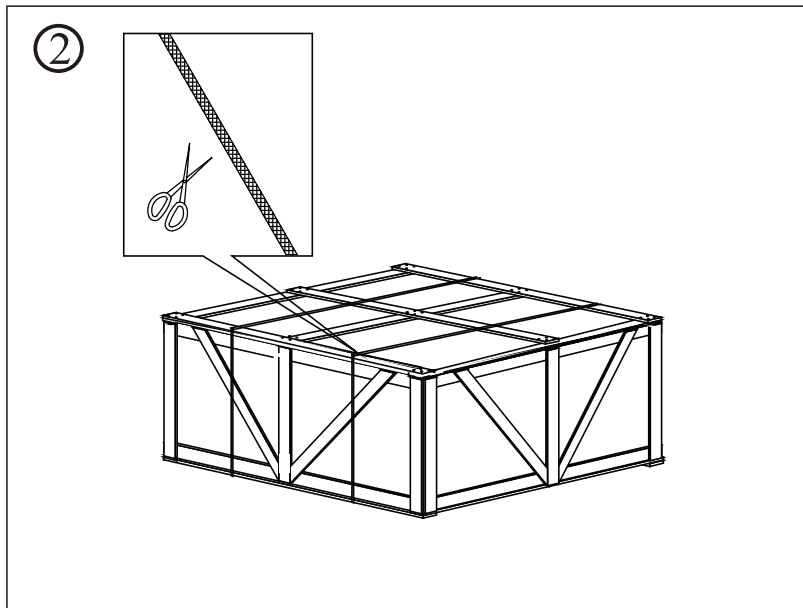
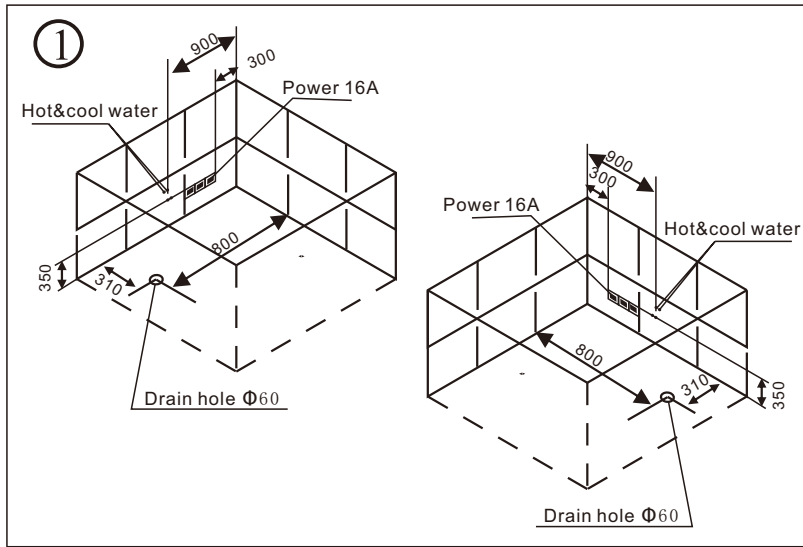
SURFING BATHTUB Installaion&Operation Manual

C052L/R

1700*1200*670mm



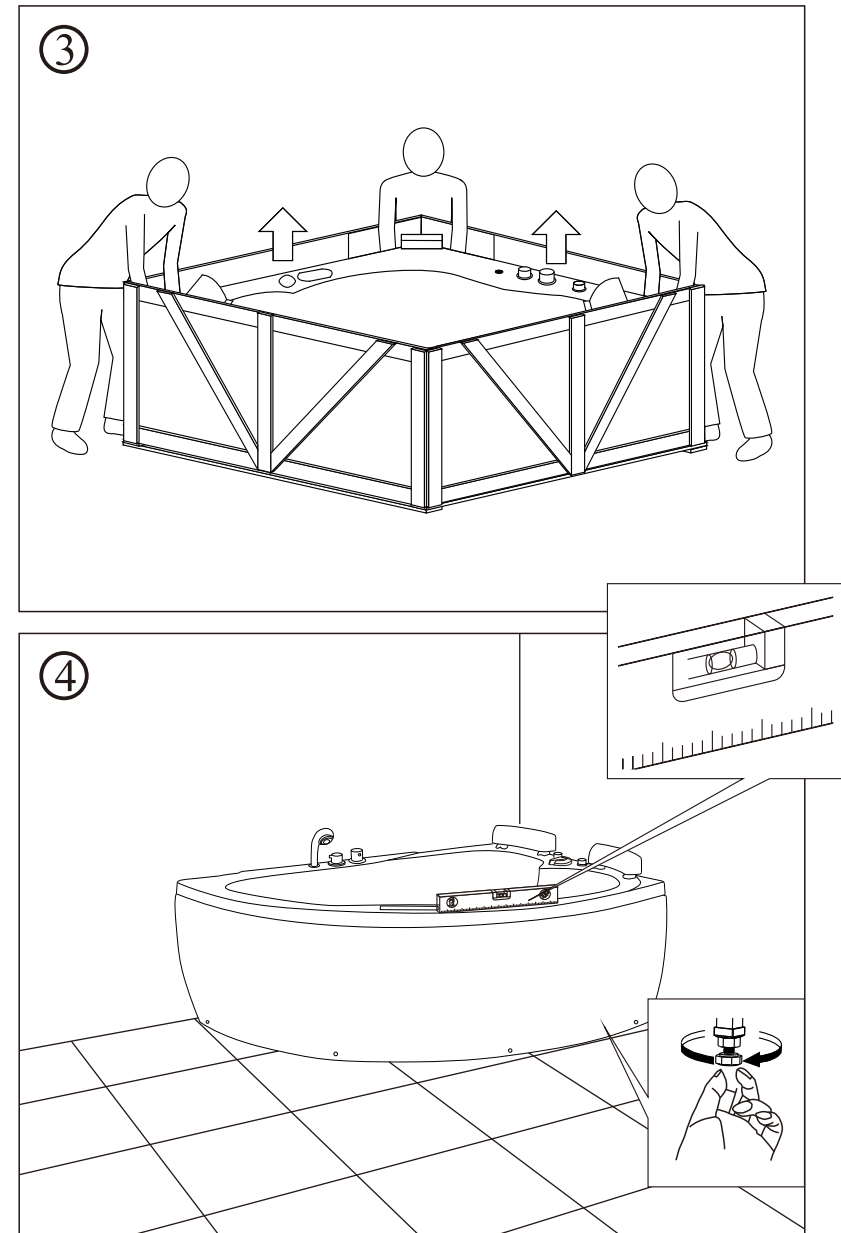
Installation



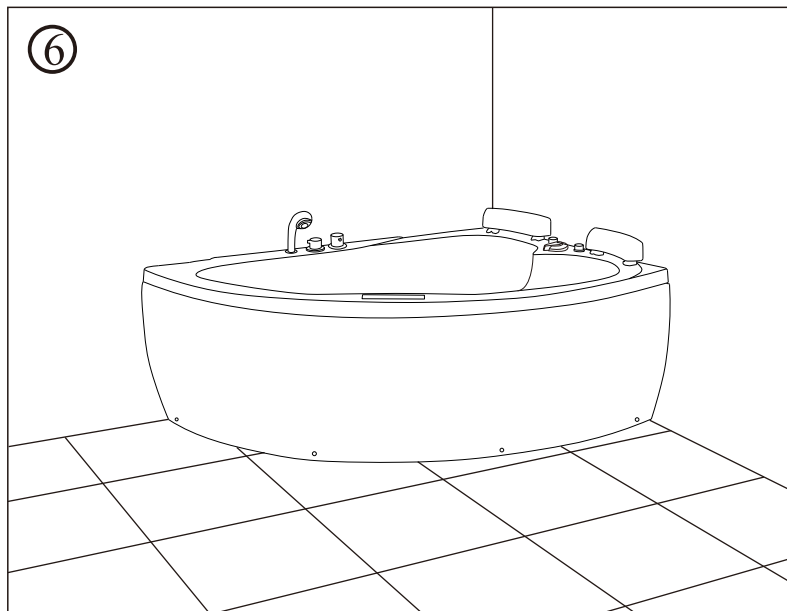
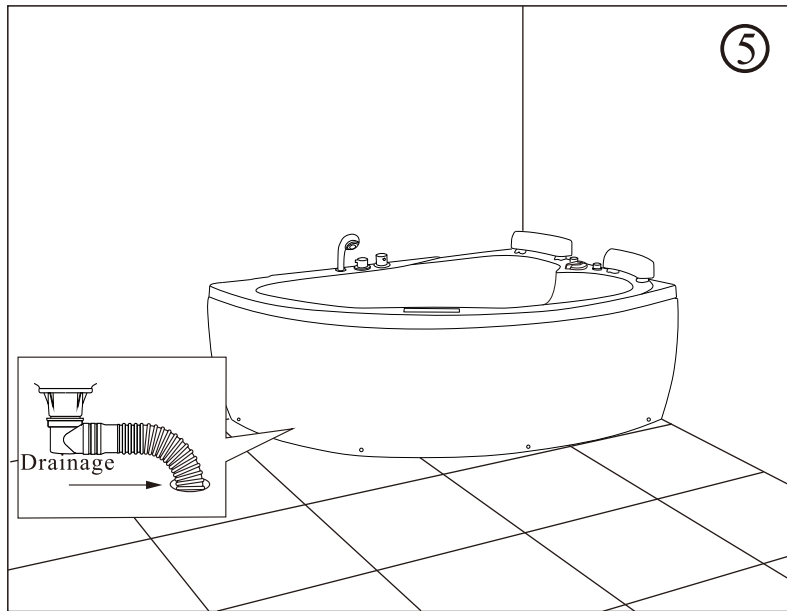
Troubleshooting

Symptoms	Problem Causes	Recommended Action
Indicating light on control panel doesn't work and whirlpool doesn't work	①、Electrical power box disconnects to control box ②、5V voltage on circuit board is not available	①、Connect the electrical power box to control box ②、Repair 5V voltage
No signal display on LCD and indicating light doesn't work	①、Electrical power disconnects, no power to control box ②、4A fuse of electrical power box is burn-out	①、Turn on electrical power ②、Replace bulb
Whirlpools bottom lamp is not available	①、Bulb cord disconnects ②、bulb is not available ③、No power to bulb	①、Connect the wiring again ②、Replace bulb ③、Bulb overruns, it runs from 20W to 25W
Hydro function is not available	①、Medical bath generator doesn't work ②、Pipe of medical bath generator is blocked ③、Medical bath generator disconnects	①、Replace medical bath generator ②、Remove obstruction from pipe ③、Connect the wiring again
Medical bath in not available	①、Water doesn't reach high water level detector ②、Water level detector doesn't work ③、Pump doesn't work ④、Electromagnetic valve of air outlet doesn't work ⑤、Air pipe is blocked	①、Wait for water reaching high water level detector ②、Check and repair high water level detector ③、Replace pump ④、Check and repair electromagnetic valve of air outlet ⑤、Remove obstruction from pipe
Telephone receiver doesn't work	①、Control disconnects to telephone wiring ②、Indoor telephone is of anti-theft-dialing lock	①、Connect telephone wiring to control ②、Don't connect to telephone of anti-theft-dialing lock
Sterilization function is not available	①、Sterilization device disconnects ②、Sterilization device doesn't work	①、Connect wiring again ②、Replace sterilization device
Remote control doesn't work	①、Capacity of battery is too low ②、Battery installs in wrong direction ③、Remote control is not available	①、Replace battery ②、Install battery properly according to prompt ③、Replace remote control
Radio effect is not good enough	①、Antenna is not spread ②、Antenna position is not proper	①、Spread antenna ②、Adjust antenna position
Heating device failed	①、Water doesn't reach high water level detector ②、Water pump doesn't turn on ③、Heating protector broken ④、Heating bar broken	①、Wait for water reaching high water level detector ②、Turn on the water pump ③、Replace heating protector ④、Replace heating bar

Notice: ①、Call dealer or qualified electrician for maintenance when meeting problems.
②、Must not replace, put on or take off the electrical parts when checking problems by user themselves.



Intelligent Sanitary Wares



Intelligent Sanitary Wares

Caution

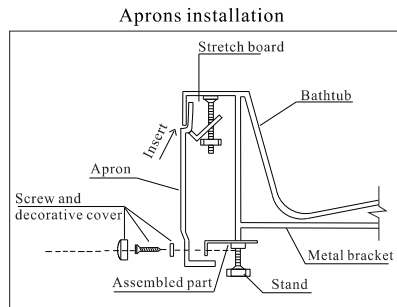
Don't disconnect the appliance with wet hands;
Don't use or stop the use if the appliance is damaged, especially the supply cord and the case;
Parts containing live parts, except parts supplied with safety extra-low voltage not exceeding 12V, must be inaccessible to a person in the bath;
Earthed appliances must be permanently connected to fixed wiring;
Parts incorporating electrical components, except remote control devices, must be located or fixed so that they cannot fall into the bath;
The appliance should be supplied through a residual current device (RCD) having a rated residual operating current not exceeding 30mA;
The built-in battery contains substances which may be harmful to the environment. When you discard your remote controller in due course, please remove the battery and hand it in separately at an officially assigned collection point.

Maintenance

1. Keep the acryl surface of the shower panel from crashing by a sharp edge. If the surface is crashed or there is some blot which can not be removed by scrub, using #1500 sand paper to polish it and apply some toothpaste on a soft cloth to wipe it.
2. Using special cleanser to clean-up the shower panel. The cleanser contain no such organic solvents as acid, alkali, ketone and aldehyde.
3. Need not polish the plating parts of the shower panel to prevent from affecting the brightness of the surface. Keep benzine and acid (such as sealant) away from the plating parts avoid eroding when being in installation.
4. Shut down the water and electrical supply if the shower panel is not in operation for a long time. Keep it in a dry and ventilated circumstance and far away from volatile chemicals.
5. Clean-up the filter at the joint of the water pipe to ensure the fluent flowing.

Appurtenance : Aprons installation

- Follow diagram 5 to insert aprons into pontes crevice between stretch board and tub edge
(notice : properly incline apron to ensure insert go fluently)



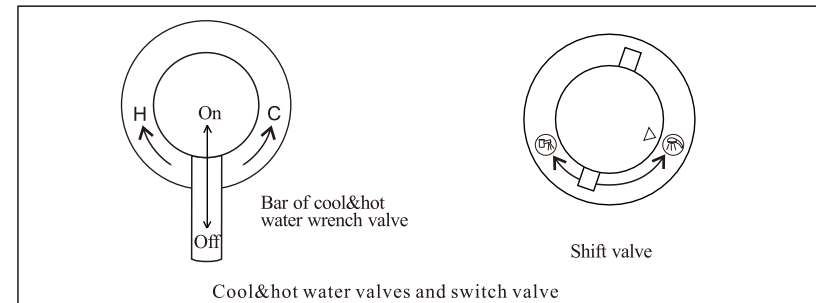
- Regulate aprons installation location, with locknuts to tighten aprons to fastener, cover fastener with decorative nuts.
- Put tub on prepared location , insert drainpipe into prepared waterspout, notice : keep inlet depth less than 10cm(if water spout faraway from location , you can lengthen the hose with same diametral hose , but please ensure kerf with plastic sealed against any leakage .)
- Reinstall the apron according to the above procedures in an inverse turn.

Intelligent Sanitary Wares

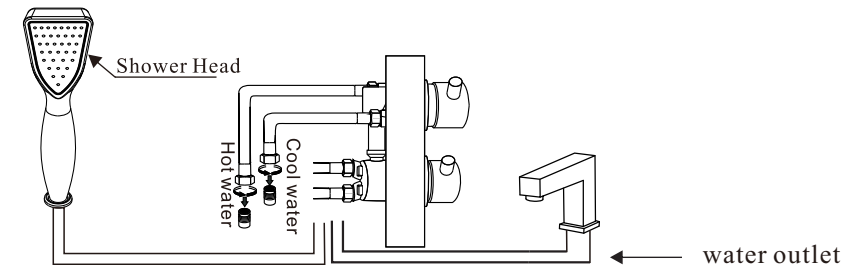
Operation of water and electrical parts

1. Water valve and supply

- 1.1 Turn on the general cool&hot water valve in the bathroom.
- 1.2 Make the water overflow by pulling up the bar of the cool&hot water wrench valve; turn it left or right to adjust the water temperature.
- 1.3 Turn the shift valve left or right to select water overflow from faucet or shower tap, left is shower tap, right is faucet(some models without faucet, which is connect to water pipe cycle system, the water will overflow from nozzle).
- 1.4 Diagram of cool&hot water valves and switch valve.



1.5. Structure of shower sets



2.0 Operation of computer control

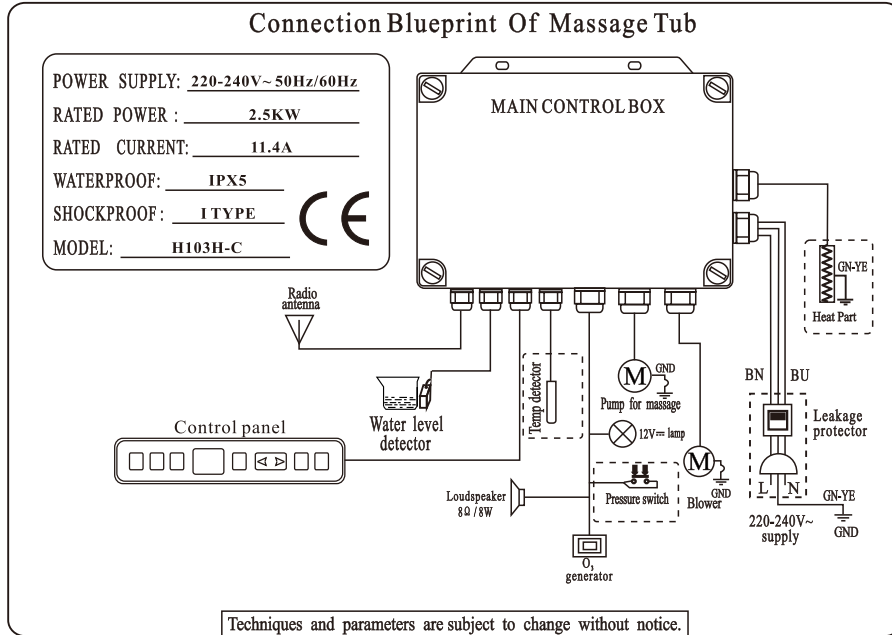
2.1 Diagram of control panel

:POWER

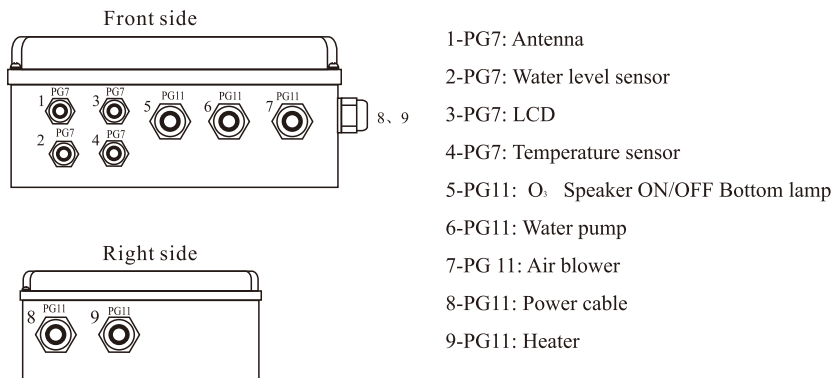
Touch press power key to start panel, LCD flashed, current water temperature and bathing figure sign shows, in 45 minutes , system shuts off automatically, you need to restart the system by pressing the POWER key. Press MEN key as the Timer sign shows on LCD, press Tun+/- key to adjust timer from 1-99 minutes.

Wiring and operation of computer

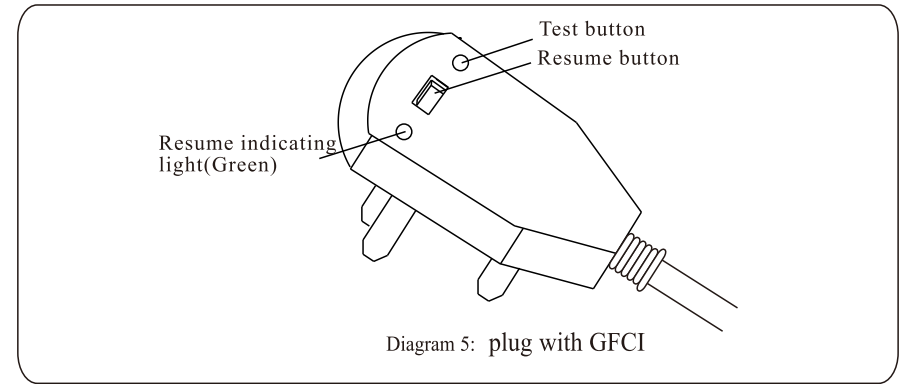
1. Wiring of power box



2. Wire terminals diagram of power box



Intelligent Sanitary Wares



Structure of safe backwater

